

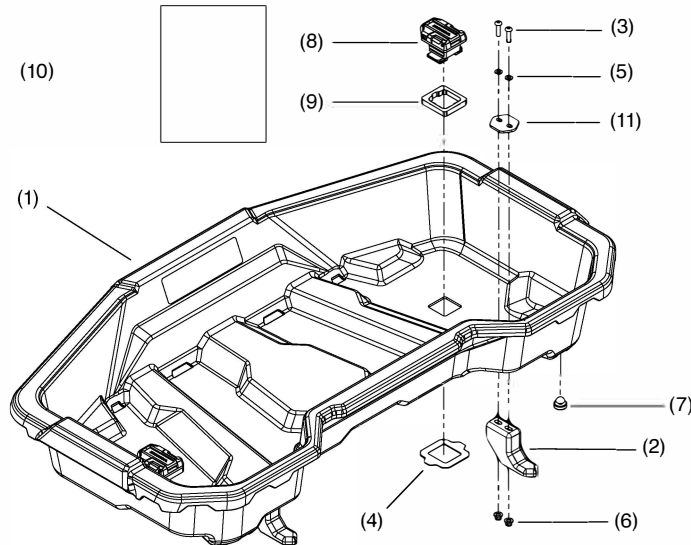


INSTALLATION INSTRUCTIONS

Accessory FRONT UTILITY BASKET P/N 0SL63-HR3-A01	Application TRX420 AFTER 2020 TRX520 AFTER 2020 TRX700 2024	Publication No. MII 17151
		Issue Date February 2021

Honda Dealer: Please give a copy of these instructions to your customer.

PARTS LIST



No.	Description	Qty
(1)	Front Basket	1
(2)	Hook	2
(3)	3 x 20 mm Button Head screw	4
(4)	Snap ring	2
(5)	10 mm Washer	4
(6)	8 mm Hex Flange Nylon nut	4
(7)	Rubber Bumper	2
(8)	HONDA PRO-CONNECT™ latch	2
(9)	Rubber Spacer	2
(10)	Installation Instruction URL	1
(11)	Bracket	2

⚠ WARNING: Overloading this vehicle or improperly carrying cargo can affect handling, braking performance and stability and can lead to a crash resulting in **SERIOUS INJURY** or **DEATH**

- **NEVER** exceed the maximum weight limit printed on the vehicle and in the owner's manual
- **ALWAYS** secure cargo carried in the utility basket to the rack to securely prevent shifting.

NOTICE:

- **Only use straps to secure cargo; use of ratcheting tie down straps could damage the rack and vehicle.**

NOTE:

- **Always make sure the two hooks and Pro-Connect™ latches are properly engaged before riding.**
- **Please read and follow all instructions and warning supplied with the basket and the vehicle rack.**

TOOLS REQUIRED

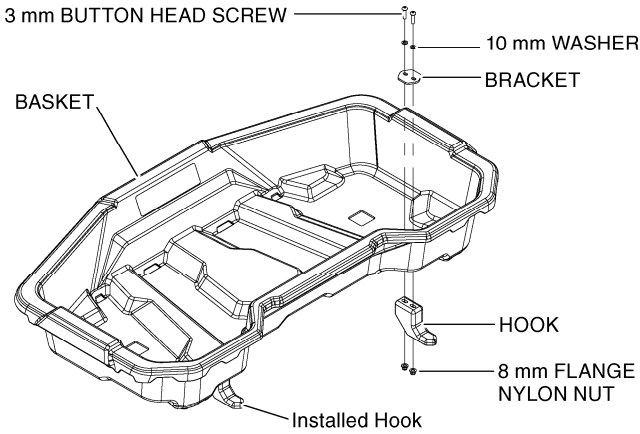
- Ratchet
- Torque wrench
- Hex wrench (3 mm)
- Socket (8 mm)
- Drill (Rancher TRX420 only)
- Drill bit (8 mm) (Rancher TRX420 only)

TORQUE CHART

Item	N-m	Kfg.m	lbf.in
3 x 20 mm Button Head Socket Screw	5	0.51	44

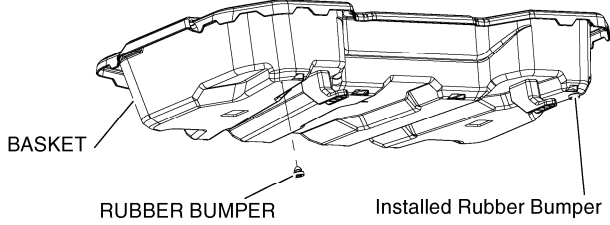
INSTALLATION

1. Install two hooks from underneath the utility basket using 3 mm button head screws, washers, brackets, and flange nylon nuts.

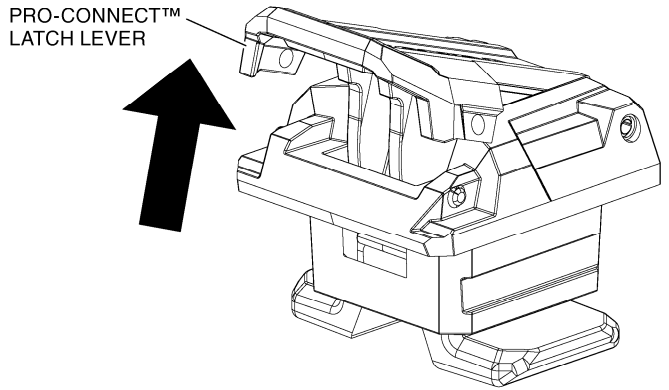


Note: (Rancher TRX420 only)

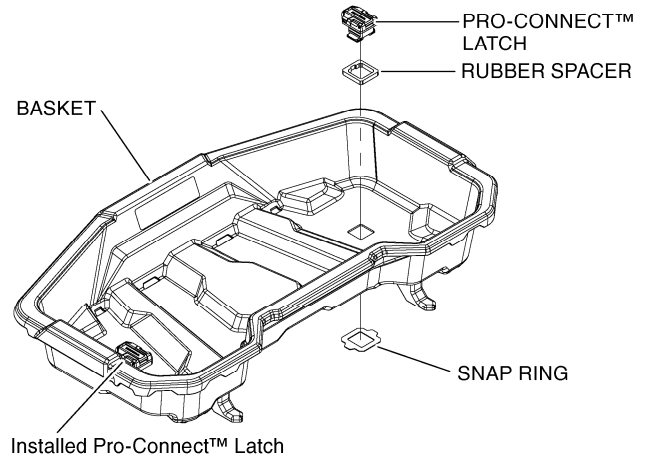
Using a drill and 8 mm drill bit, drill a hole at the drilling marks. Then install two rubber bumpers from underneath, as shown.



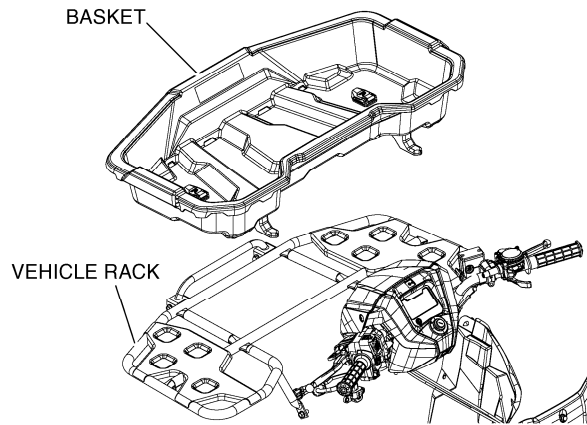
2. Lift the lever on each Pro-Connect™ latch to unlock them and slide the Rubber Spacer around the Pro-Connect™ latch. Insert the Pro-Connect™ latch and spacer assembly in the basket square hole and secure the latches by installing a snap ring onto each latch from underneath the basket.



Before and after latch installation on the basket are shown in the picture below.



3. Lift the lever on each latch to unlock them. Place the utility basket onto the front rack of the ATV. Line up each latch with its corresponding hole in the rack then push each latch into its hole.



4. Secure the cargo box to the vehicle by pressing down each Honda Pro-Connect™ latch lever.

